

NOTES:

1. TORQUE RATINGS, Nm:

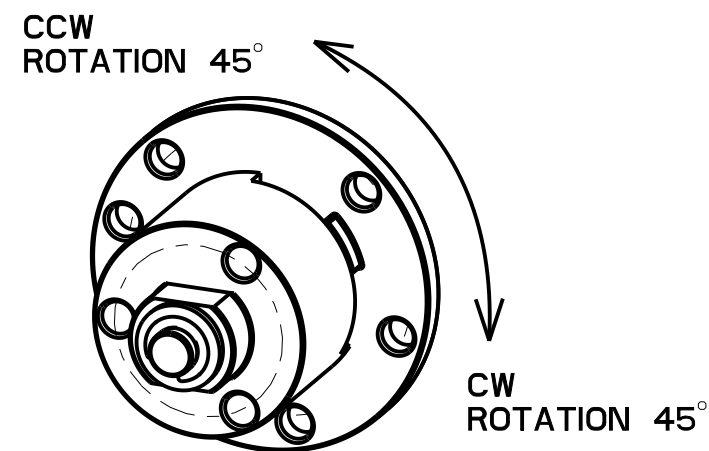
PART NUMBER	SYMMETRIC TORQUE
CD20A-1003-25	2.5
CD20A-1003-30	3.0
CD20A-1003-40	4.0
CD20A-1003-50	5.0

2. CYCLE LIFE:

WITHIN 10,000 CYCLES STATIC TORQUE
STAY WITHIN $\pm 25\%$ OF TORQUE SPECIFICATION.

3. FINISH: PLATING

4. 90 DEGREE SHAFT ROTATION



METRIC(MM)	[ENGLISH] (IN)
0-3 ± 0.15	0-0.118 ± 0.006
3-10 ± 0.20	0.118-0.394 ± 0.008
10-30 ± 0.25	0.394-1.181 ± 0.010
30-50 ± 0.30	1.181-2.000 ± 0.012
50-100 ± 0.40	2.000-4.000 ± 0.016
100-200 ± 0.50	4.000-8.000 ± 0.020

PROPRIETY ITEM - ALL INFORMATION DISCLOSED
HEREON IS CONFIDENTIAL AND ALL RIGHTS
PATENT AND OTHERWISE ARE RESERVED BY
LEEEO TECHNOLOGIES CORPORATION

LEEEO

APPROVED
JLIU

DRAWN
BCHEN

SHEET 1 OF 1

SCALE: 1.000

DWG NO.

CD20A-1003-xx

TITLE

CD20A

MATERIAL

STEEL

REV

A3

