

NOTES:

1. TORQUE RATINGS, Nm :

PART NUMBER	SYMMETRIC TORQUE
QM10B-1038-00	0.0
QM10B-1038-09	0.9
QM10B-1038-14	1.4
QM10B-1038-18	1.8
QM10B-1038-23	2.3
QM10B-1038-27	2.7

PART NUMBER	ASYMMETRIC CW TORQUE	ASYMMETRIC CCW TORQUE
QM10B-2038-14	1.4	0.8
QM10B-2038-18	1.8	1.1
QM10B-2038-23	2.3	1.4
QM10B-2038-27	2.7	1.6
QM10B-2038-34	3.4	2.0
QM10B-3038-14	0.8	1.4
QM10B-3038-18	1.1	1.8
QM10B-3038-23	1.4	2.3
QM10B-3038-27	1.6	2.7
QM10B-3038-34	2.0	3.4

2. CYCLE LIFE:
WITHIN 25,000 CYCLES STATIC TORQUE STAY WITHIN $\pm 20\%$ OF TORQUE SPECIFICATION.

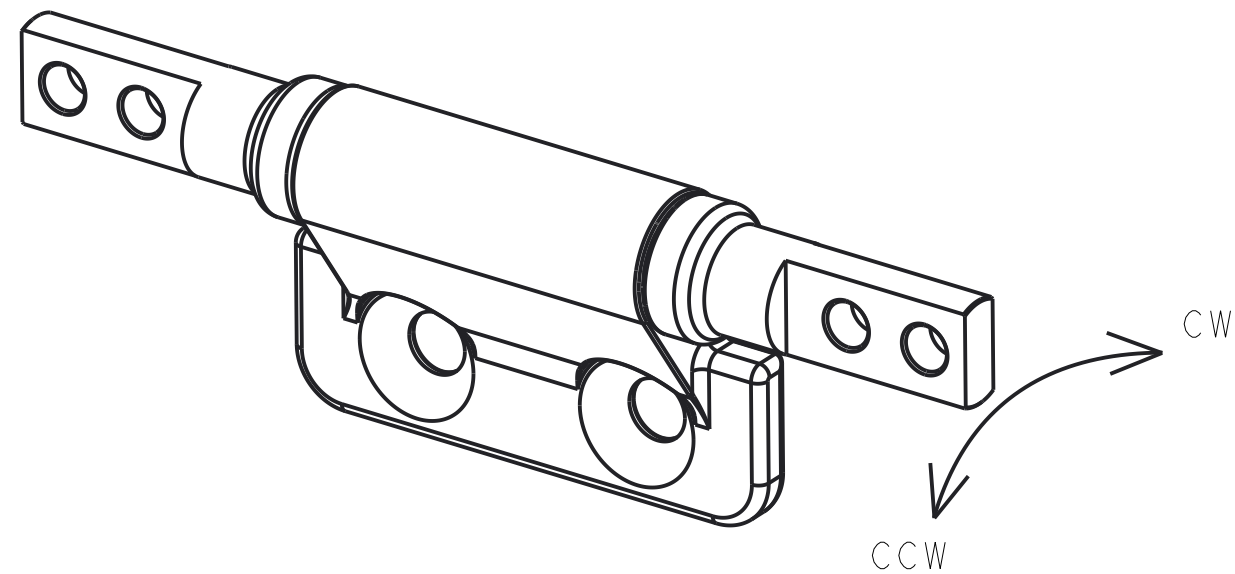
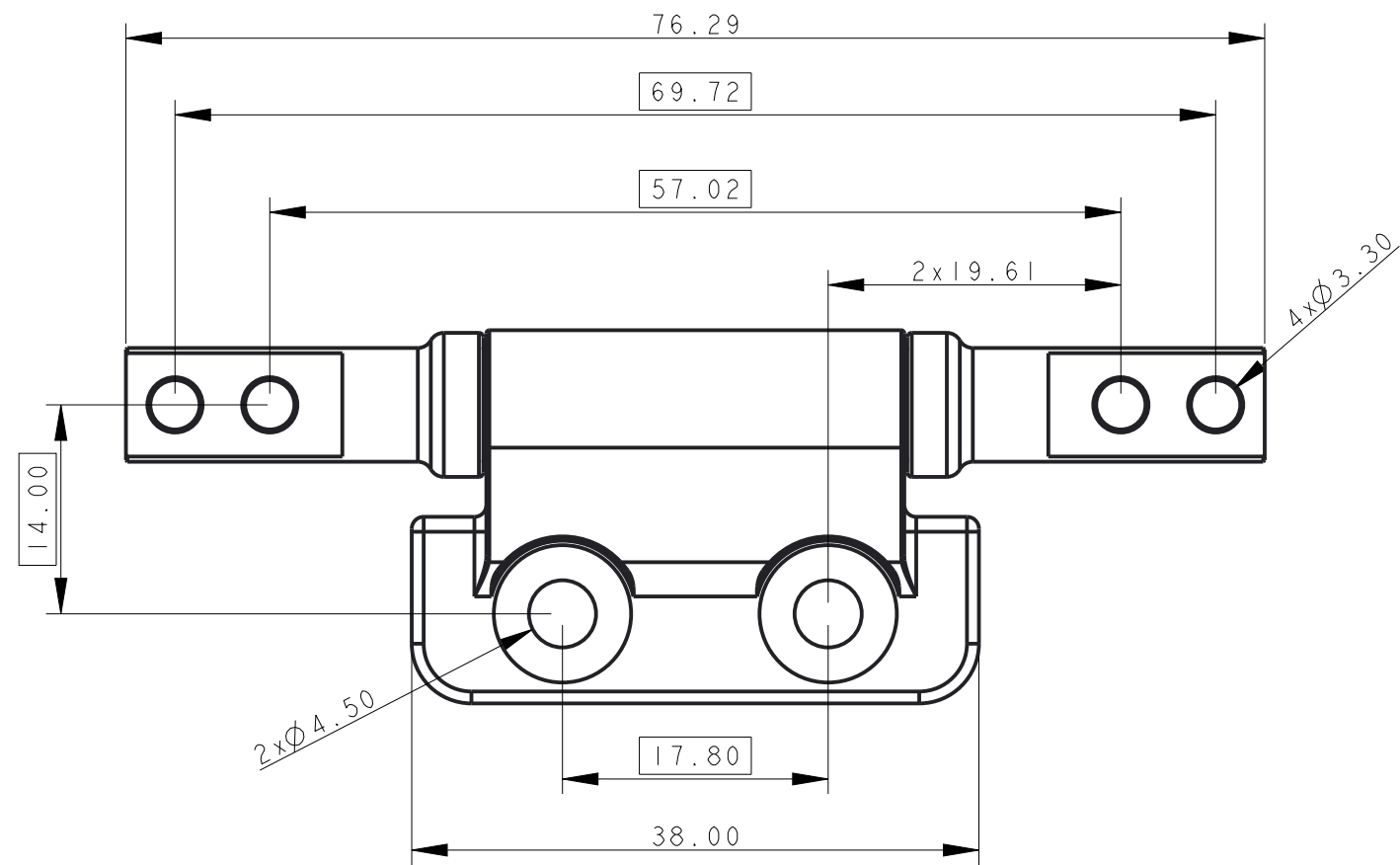
3. FINISH:
A. NATURE B. BLACK PAINT

4. 360 DEGREE SHAFT ROTATION

5. OIL RING SEALS FOR PROTECTION AGAINST ENVIRONMENT CONTAMINATION

6. MATERIAL:
ZINC ALLOY, STEEL, GREASE AND O-RING

METRIC(MM)	[ENGLISH] (IN)	LEEEO		DWG NO.	
0-3 ± 0.15	0-0.118 ± 0.006			QM10B-x038-xx	
3-10 ± 0.20	0.118-0.394 ± 0.008	TITLE		QM10B	
10-30 ± 0.25	0.394-1.181 ± 0.010	APPROVED	DRAWN	MATERIAL	
30-50 ± 0.30	1.181-2.000 ± 0.012	JLIU	BCHEN	SEE NOTES	
50-100 ± 0.40	2.000-4.000 ± 0.016	SHEET 1 OF 1		SCALE: 2.000	REV
100-200 ± 0.50	4.000-8.000 ± 0.020	PROPRIETY ITEM - ALL INFORMATION DISCLOSED HEREON IS CONFIDENTIAL AND ALL RIGHTS PATENT AND OTHERWISE ARE RESERVED BY LEEEO TECHNOLOGIES CORPORATION		A3	



NOTES:

1. TORQUE RATINGS, Nm :

PART NUMBER	SYMMETRIC TORQUE
QM10B-1100-00	0.0
QM10B-1100-09	0.9
QM10B-1100-14	1.4
QM10B-1100-18	1.8
QM10B-1100-23	2.3
QM10B-1100-27	2.7

PART NUMBER	ASYMMETRIC CW TORQUE	ASYMMETRIC CCW TORQUE
QM10B-2100-14	1.4	0.8
QM10B-2100-18	1.8	1.1
QM10B-2100-23	2.3	1.4
QM10B-2100-27	2.7	1.6
QM10B-2100-34	3.4	2.0
QM10B-3100-14	0.8	1.4
QM10B-3100-18	1.1	1.8
QM10B-3100-23	1.4	2.3
QM10B-3100-27	1.6	2.7
QM10B-3100-34	2.0	3.4

2. CYCLE LIFE:
WITHIN 25,000 CYCLES STATIC TORQUE STAY WITHIN ±20% OF TORQUE SPECIFICATION.

3. FINISH:
A. NATURE B. BLACK PAINT

4. 360 DEGREE SHAFT ROTATION

5. OIL RING SEALS FOR PROTECTION AGAINST ENVIRONMENT CONTAMINATION

6. MATERIAL:
ZINC ALLOY, STEEL, GREASE AND O-RING

METRIC(MM)	[ENGLISH] (IN)
0-3 ± 0.15	0-0.118 ± 0.006
3-10 ± 0.20	0.118-0.394 ± 0.008
10-30 ± 0.25	0.394-1.181 ± 0.010
30-50 ± 0.30	1.181-2.000 ± 0.012
50-100 ± 0.40	2.000-4.000 ± 0.016
100-200 ± 0.50	4.000-8.000 ± 0.020

PROPRIETY ITEM - ALL INFORMATION DISCLOSED HEREON IS CONFIDENTIAL AND ALL RIGHTS PATENT AND OTHERWISE ARE RESERVED BY LEECO TECHNOLOGIES CORPORATION

LEEEO

APPROVED
JLIU

DRAWN
BCHEN

SHEET 1 OF 1

SCALE: 2.000

DWG NO.

QM10B-x100-xx

TITLE

QM10B

MATERIAL

SEE NOTES

REV

A3

