

NOTES:

1. TORQUE RATINGS, Nm :

PART NUMBER	SYMMETRIC TORQUE
QM7C-1030-02Lx	0.2
QM7C-1030-05Lx	0.5
QM7C-1030-07Lx	0.7
QM7C-1030-09Lx	0.9

PART NUMBER	ASYMMETRIC CW TORQUE	ASYMMETRIC CCW TORQUE
QM7C-2030-07Lx	0.7	0.4
QM7C-2030-09Lx	0.9	0.55
QM7C-2030-11Lx	1.1	0.7
QM7C-3030-07Lx	0.4	0.7
QM7C-3030-09Lx	0.55	0.9
QM7C-3030-11Lx	0.7	1.1

2. CYCLE LIFE:
WITHIN 25,000 CYCLES STATIC TORQUE STAY WITHIN ±20% OF TORQUE SPECIFICATION.

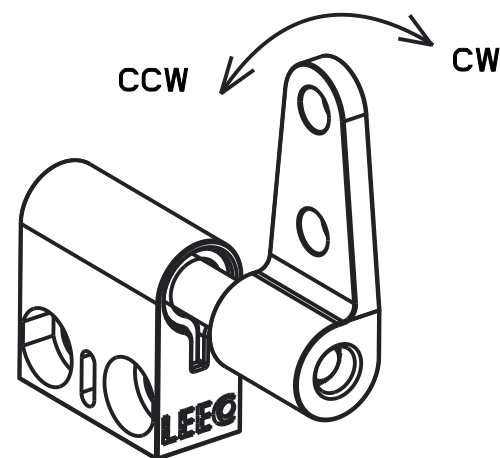
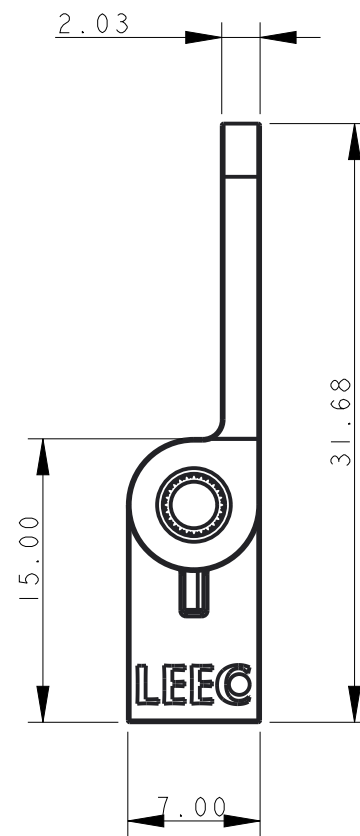
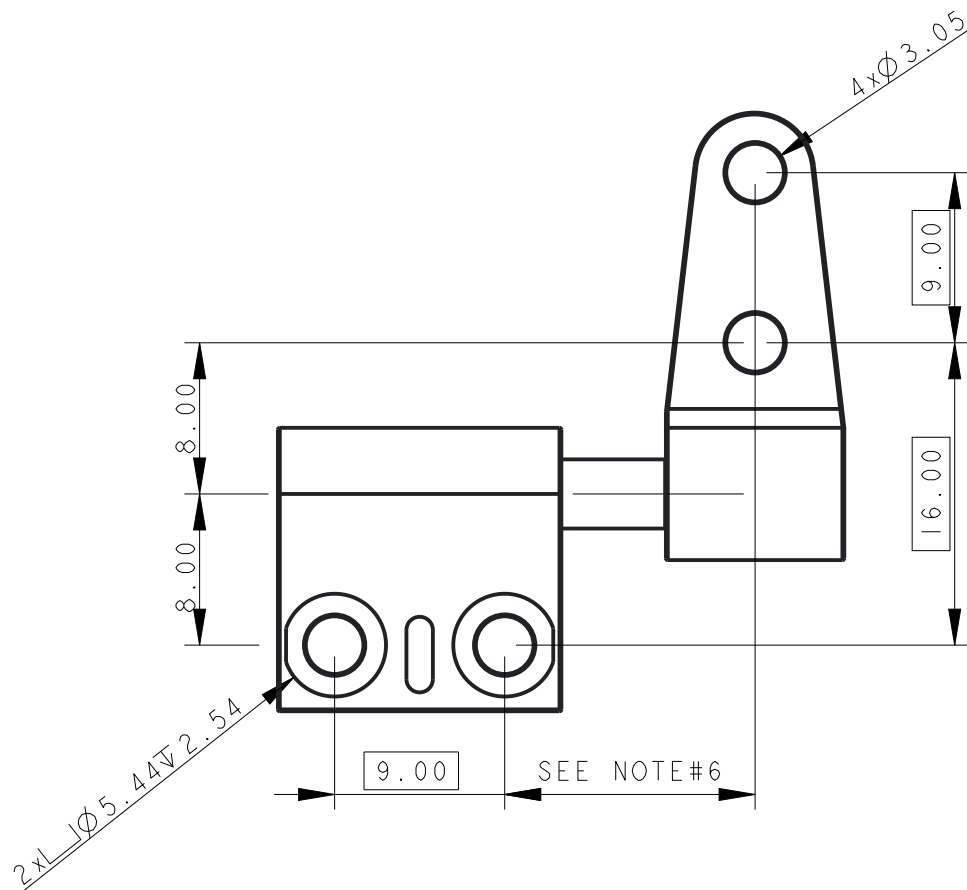
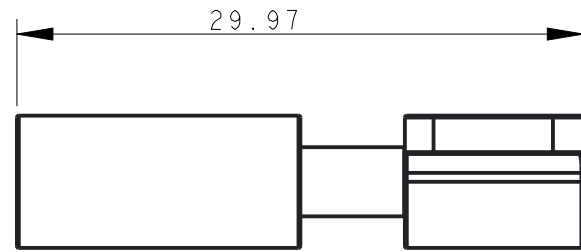
3. FINISH: NATURE

4. 360 DEGREE SHAFT ROTATION

5. MATERIAL:
ZINC ALLOY, STEEL AND GREASE

6. MOUNTING HOLE DISTANCE CONFIGURATION:
QM7C-x030-xxLS=13.25MM
QM7C-x030-xxLL=20.25MM

METRIC(MM) 0-3< ±0.15 3-10< ±0.20 10-30< ±0.25 30-50< ±0.30 50-100< ±0.40 100-200< ±0.50	[ENGLISH] (IN) 0-0.118<±0.006 0.118-0.394<±0.008 0.394-1.181<±0.010 1.181-2.000<±0.012 2.000-4.000<±0.016 4.000-8.000<±0.020	<h1>LEEEO</h1>		DWG NO. QM7C-x030-xxLx	
				TITLE QM7C LEFT	
PROPRIETY ITEM - ALL INFORMATION DISCLOSED HEREON IS CONFIDENTIAL AND ALL RIGHTS PATENT AND OTHERWISE ARE RESERVED BY LEEEO TECHNOLOGIES CORPORATION		APPROVED JLIU	DRAWN BCHEN	MATERIAL SEE NOTES	
		SHEET 1 OF 1	SCALE: 1.000	REV	A3



NOTES:

1. TORQUE RATINGS, Nm :

PART NUMBER	SYMMETRIC TORQUE
QM7C-1030-02Rx	0.2
QM7C-1030-05Rx	0.5
QM7C-1030-07Rx	0.7
QM7C-1030-09Rx	0.9

PART NUMBER	ASYMMETRIC CW TORQUE	ASYMMETRIC CCW TORQUE
QM7C-2030-07Rx	0.7	0.4
QM7C-2030-09Rx	0.9	0.55
QM7C-2030-11Rx	1.1	0.7
QM7C-3030-07Rx	0.4	0.7
QM7C-3030-09Rx	0.55	0.9
QM7C-3030-11Rx	0.7	1.1

2. CYCLE LIFE:
WITHIN 25,000 CYCLES STATIC TORQUE STAY WITHIN ±20% OF TORQUE SPECIFICATION.

3. FINISH: NATURE

4. 360 DEGREE SHAFT ROTATION

5. MATERIAL:
ZINC ALLOY, STEEL AND GREASE

6. MOUNTING HOLE DISTANCE CONFIGURATION:
QM7C-x030-xxRS=13.25MM
QM7C-x030-xxRL=20.25MM

METRIC(MM)	[ENGLISH] (IN)	LEEEO		DWG NO.		
0-3 < ±0.15	0-0.118 < ±0.006			QM7C-x030-xxRx		
3-10 < ±0.20	0.118-0.394 < ±0.008	TITLE				
10-30 < ±0.25	0.394-1.181 < ±0.010	QM7C RIGHT				
30-50 < ±0.30	1.181-2.000 < ±0.012	APPROVED	DRAWN	MATERIAL		
50-100 < ±0.40	2.000-4.000 < ±0.016	LIU	BCHEN	SEE NOTES		
100-200 < ±0.50	4.000-8.000 < ±0.020			REV		
PROPRIETY ITEM - ALL INFORMATION DISCLOSED HEREON IS CONFIDENTIAL AND ALL RIGHTS PATENT AND OTHERWISE ARE RESERVED BY LEEEO TECHNOLOGIES CORPORATION		SHEET 1 OF 1		SCALE: 2.500	A3	