

NOTES:

1. TORQUE RATINGS

PART NUMBER	SYMMETRIC TORQUE
TIM10-1025-05	0.5
TIM10-1025-10	1.0
TIM10-1025-20	2.0

2. CYCLE LIFE:

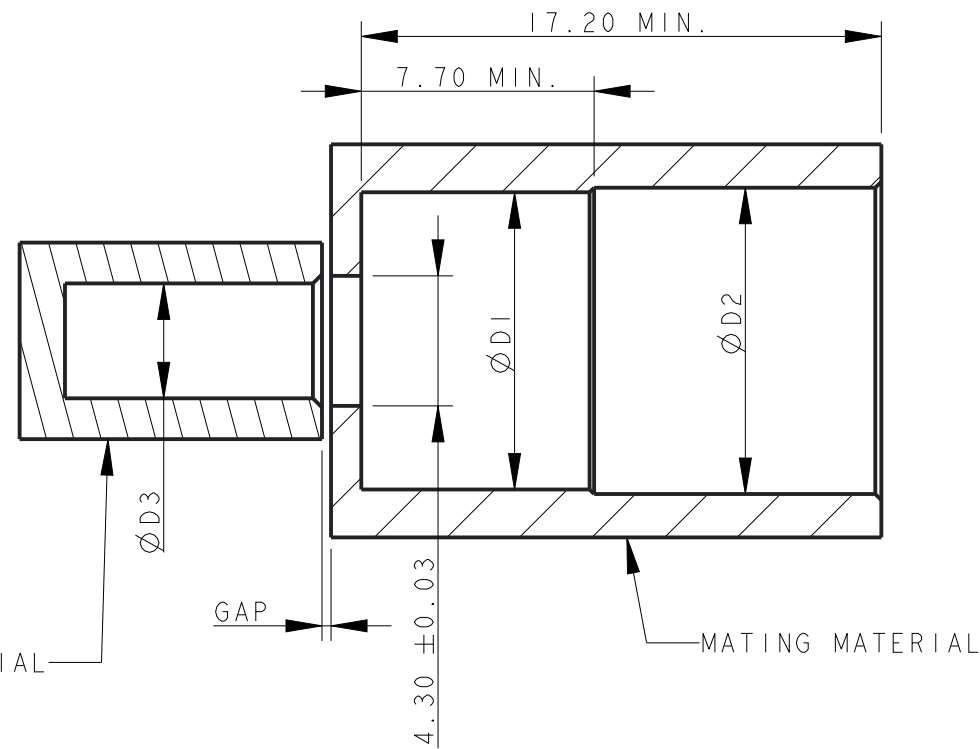
WITHIN 50,000 CYCLES STATIC TORQUE STAY WITHIN ±20% OF TORQUE SPECIFICATION.

3. FINISH: PLAIN AND PLATING

4. 360 DEGREE SHAFT ROTATION

5. DESIGNED TO BE USED IN PLASTIC AND STEEL

6. TO BE USED IN PAIRS IN ORDER TO ENSURE PROPER AND NORMAL FUNCTIONS



CUSTOMER INSTALLTION GEOMETRY			
CUSTOMER MATERIAL	ØD1	ØD2	ØD3
ZINC	9.82±0.03	10.13±0.05	3.80±0.03
ALUMINUM	9.82±0.03	10.13±0.05	3.80±0.03
STEEL	9.87±0.015	10.13±0.05	3.88±0.015
PLASTIC	9.62±0.03	10.13±0.05	3.40±0.03

METRIC (ENGLISH)

0-3 < ±0.15	0-0.118 < ±0.004
3-10 < ±0.20	0.118-0.394 < ±0.005
10-30 < ±0.25	0.394-1.181 < ±0.010
30-50 < ±0.30	1.181-2.000 < ±0.012
50-100 < ±0.40	2.000-4.000 < ±0.016
100-200 < ±0.50	4.000-8.000 < ±0.020

LEEEO

APPROVED
JLIU

DRAWN
DLEE

DWG NO.

TIM10-1025-xx

TITLE

TORQUE INSERT

MATERIAL

STEEL

PROPRIETY ITEM - ALL INFORMATION DISCLOSED HEREON IS CONFIDENTIAL AND ALL RIGHTS PATENT AND OTHERWISE ARE RESERVED BY LEEEO TECHNOLOGIES CORPORATION

SHEET 1 OF 2

SCALE: 3.000

REV

A3



MATING MATERIAL

MATING MATERIAL